

Please complete the sections below for us to accurately quote and manage your enquiry

Haigh Avenue, Whitehill Industrial Estate, Stockport, Cheshire, SK41NU

Page 1 of __

1. Date:

2. Contact Details

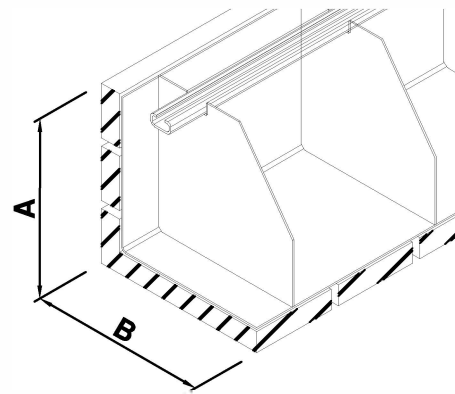
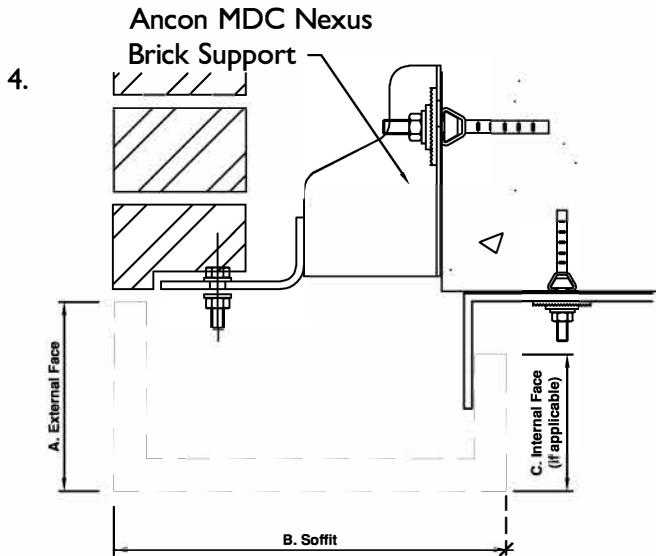
Name: _____
 Company: _____
 Email : _____
 Telephone: _____

3. Site Details

Title: _____
 Address: _____

 Postcode: _____

PLEASE COMPLETE A SHEET FOR EACH VARIATION

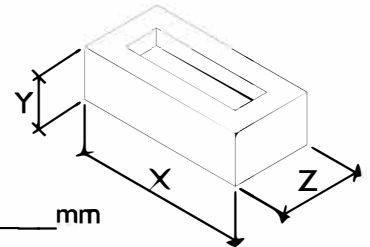


Dimension: A = _____ mm External Face
 B = _____ mm Soffit
 C = _____ mm Internal Face

Note: Soffits greater than 328mm will require a second point of support from the structure

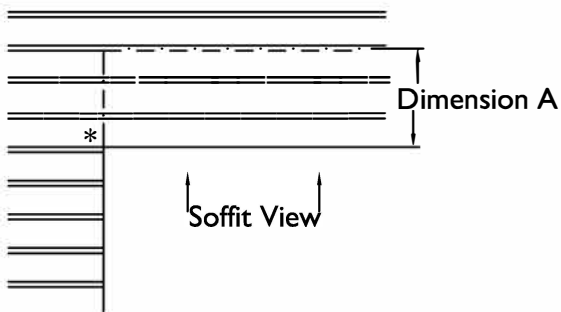
5. Brick Dimensions

X _____ mm
 Y _____ mm
 Z _____ mm



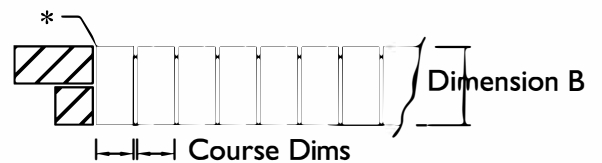
6. Bed Joint Thickness _____ mm

7. Bond Pattern: Please sketch your requirements (Attach separate sheet if required)



* = Sketch bond pattern from external left-hand corner

8. Soffit View (Looking Up)



9. Your location reference: _____

10. Qty Req'd: _____ m (Lineal m req'd)

11. No. of internal and external corners: _____ No.

12. Dimension Section Attached (Tick)

13. Elevation Attached (Tick)

14. Approx Date Req'd on Site _____

Please complete the sections below for us to accurately quote and manage your enquiry

Haigh Avenue, Whitehill Industrial
Estate, Stockport, Cheshire, SK41NU

Page 2 of __

PLEASE COMPLETE A SHEET FOR EACH VARIATION

Sketch of Face showing brick setting out from Left Hand corner of opening

Sketch of Soffit showing brick setting out from Left Hand corner of opening