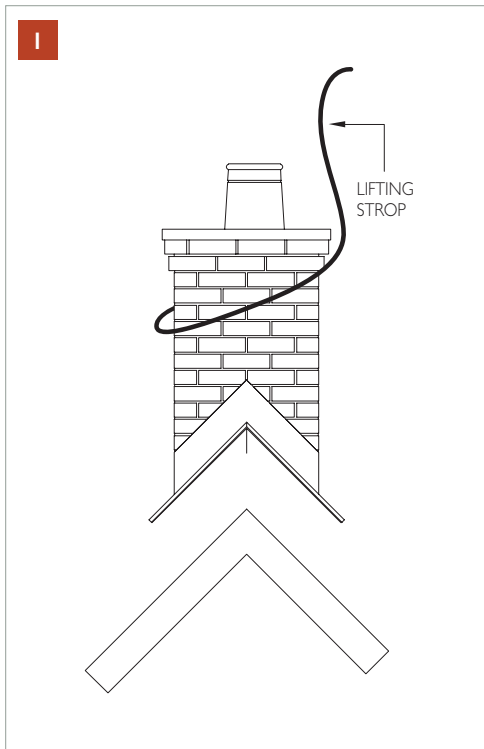
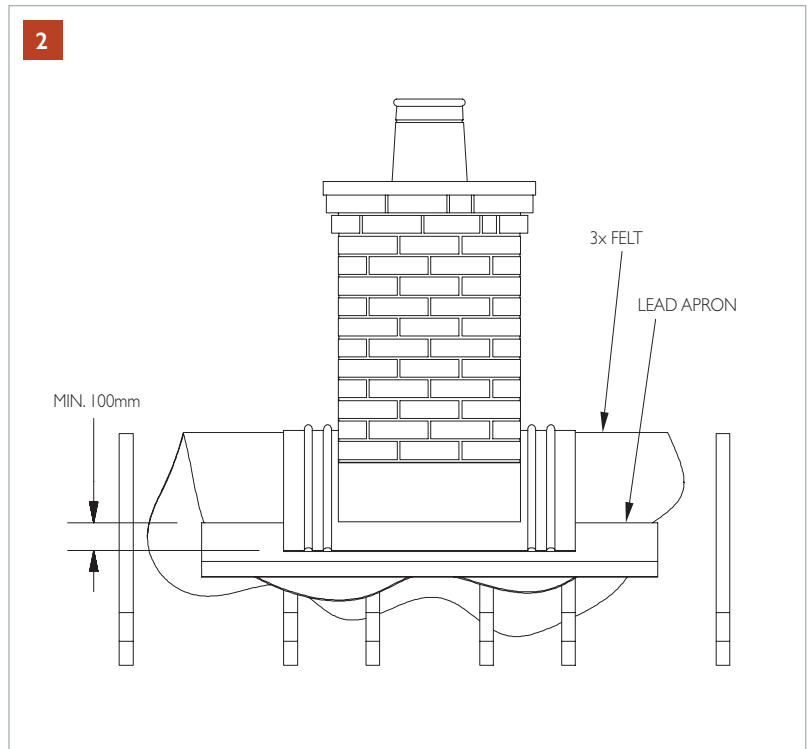


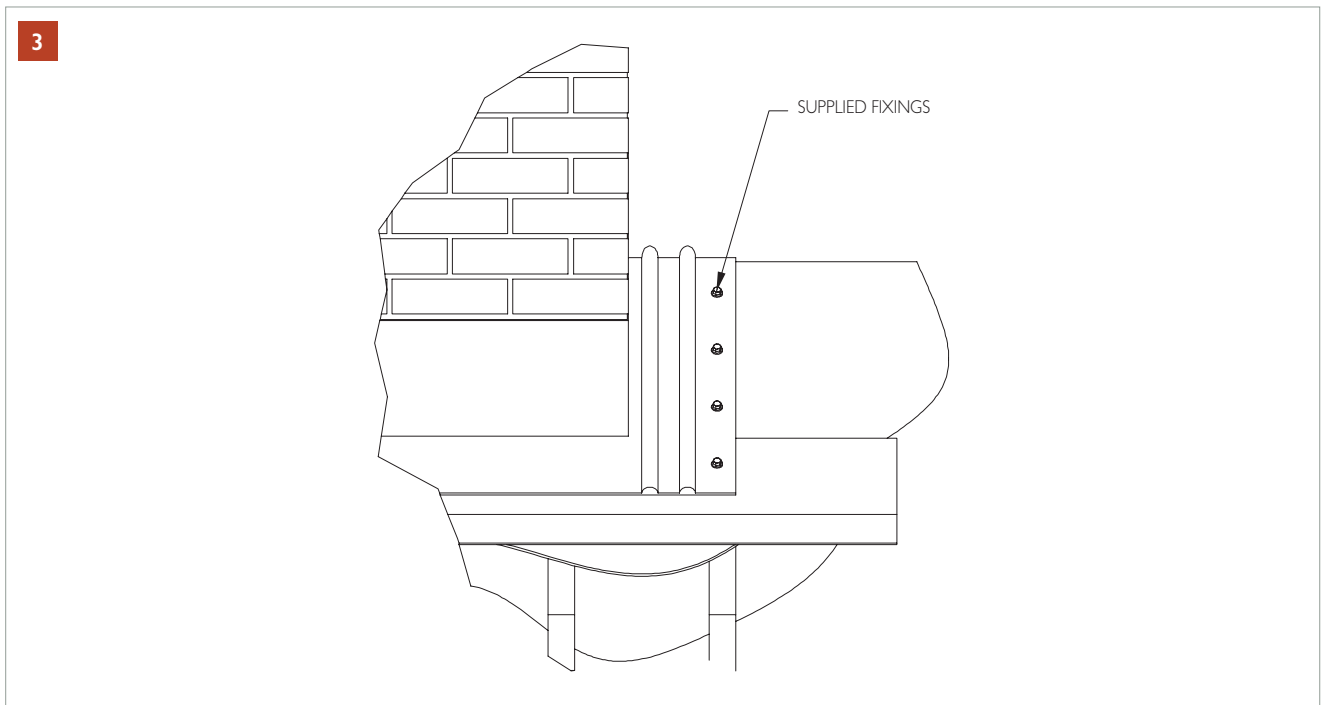
BRICK-EFFECT FASTSTACK® Mid Ridge Chimney



Lift chimney in to position on to the felted roof using a lifting strop. **DO NOT** use the capping as this may cause damage. Ensure three layers of roofing felt are installed directly under the chimney.

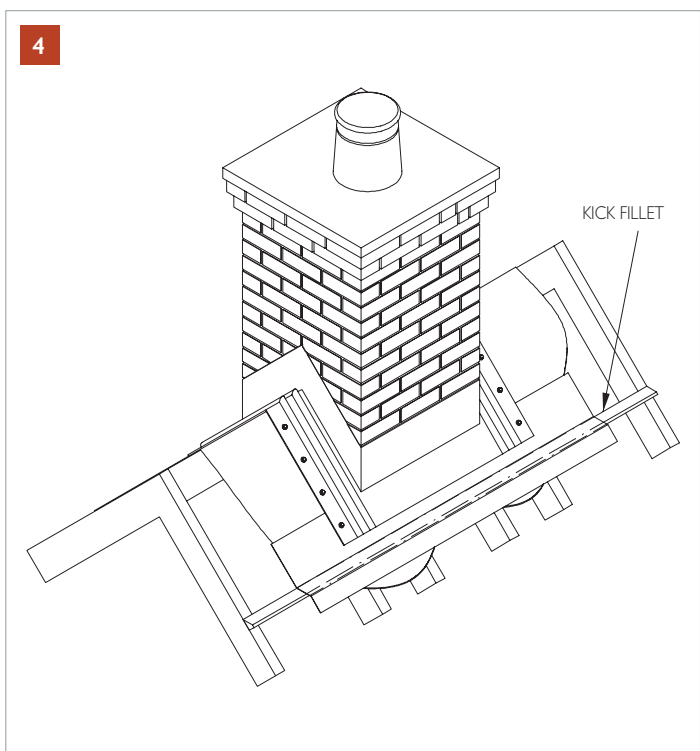


Prepare the lead aprons (if not included) and slide under the fixing base plate front and rear with a minimum 100mm overlap.

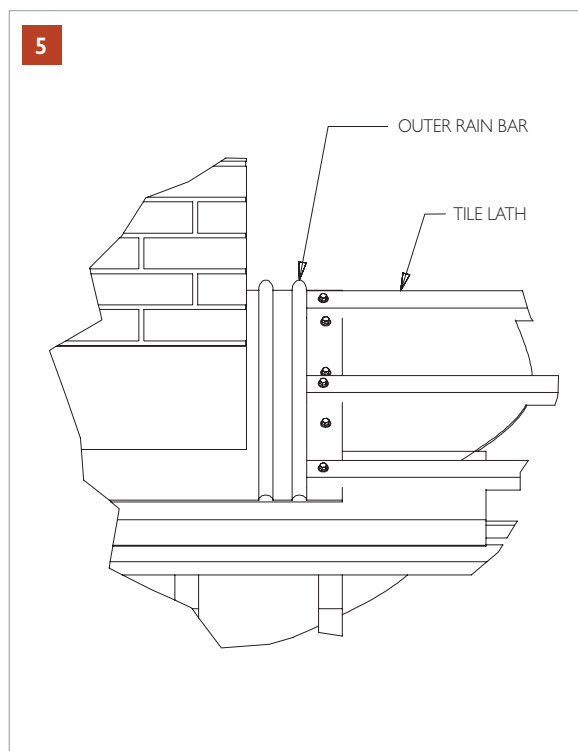


Screw the supplied fixings through the outer edges of the skirt in to trusses as shown. The lower fixings will also secure the leadwork in to position. All fixings supplied must be used. **DO NOT** use the front and rear of the skirt.

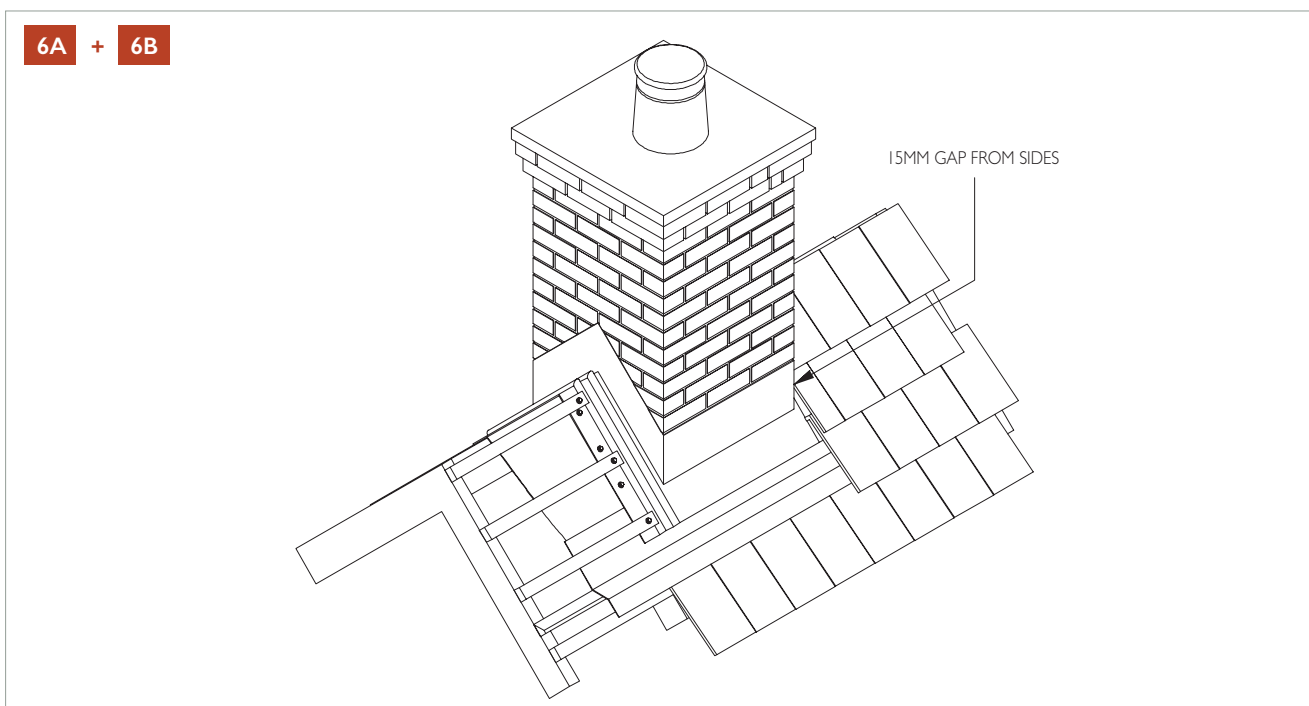
SATELLITE DISHES AND TELEVISION AERIALS MUST NOT BE FIXED TO THE FASTSTACK CHIMNEY



Lift the apron and secure a timber fillet to the trusses below the lower edge of the front and rear skirts to provide a kick for the lead aprons.



Batten the roof and run the batten/lath up to the outer rain bar. The batten should not be nailed through the skirt but screwed with stainless steel, self tapping screws.



6A When the roof is fully battened and ready for tiling, run the tiles in to the side of the chimney leaving a 15mm gap between the tile and the chimney core to allow rain flow.

6B Flash the chimney at the front and rear using the lead aprons in accordance with BS6915 codes of practice.

SATELLITE DISHES AND TELEVISION AERIALS MUST NOT BE FIXED TO THE FASTSTACK CHIMNEY