

APPLICATION & CONSTRUCTION IBSTOCK TILEBRICK™ LAYING AND HANDLING GUIDELINES

ibstock's Tilebrick™ are laid as standard facing bricks but have the appearance of vertical tile hanging. They have been successfully used on traditional and contemporary projects.

The basic dimensions are determined by the traditional vertical tile size but modified slightly to gauge vertically and horizontally with standard brick/block coursing.

Coursing vertically – 2 courses to 225mm - corresponding to brick and blockwork coursing enabling the normal use of wall ties;

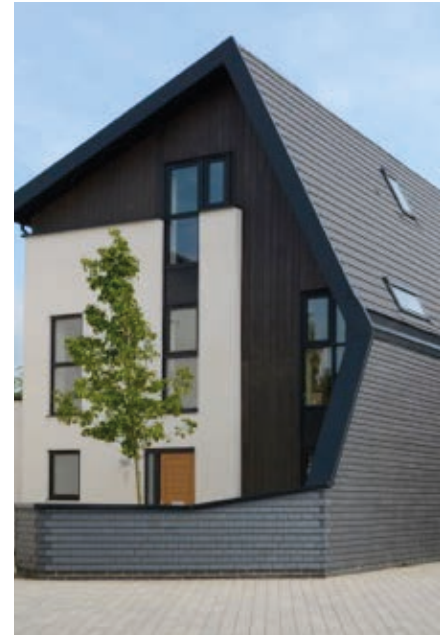
Coursing horizontally - 4 Tilebricks to 3 standard facing bricks (2 Tilebricks to 1½ bricks).

Therefore existing brickwork designs may be adapted to Tilebrick format and this is facilitated by a range of complimentary fittings.

These include;

- Returns – for use at 90° corners.
- Reveal units – (fair-ended) – use at window openings.
- 1½ units and ½ units to enable bonding.
- Longer units for cutting on site.
- Angled units – for 30°, 45°, 60° angles on plan.
- Pre-cut sloping verge units (to suit roof pitch).
- Decorative units – club, beaver tail.

For isometrics and design details please contact an Ibstock Design Advisor:



LAYING

Lay a nominal 10mm mortar bed using designation (ii) or M6 class mortar. Cut back mortar with trowel approximately 15mm from the face of the unit below. This is important to avoid squeezing out mortar under the lip onto the face – mortar should not be visible when viewed from below.

Gauge at 225mm for two courses vertically. The lip at the front base of the Tilebrick is not designed as a guide for the mortar depth.

The vertical perpend joints are tapered to the rear to allow close positioning of the face and therefore only the rear 2/3rd's needs to be buttered so mortar is not visible when viewed from the front. Mortar must fully fill the rear 2/3rds however:

Where weep-holes are required, leave the perpendicular joint completely clear of mortar:

Due to the natural properties of clay (see tolerances) and setting out variances, perpend should be adjusted to accommodate any size variation, it is acceptable for the face perpend to vary in size from 1-3mm.

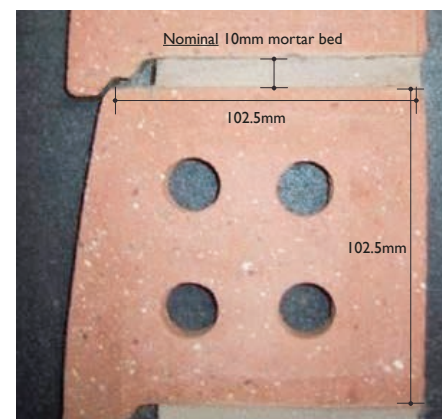
End units should be laid and levelled in both directions.

The string line should be set to the front edge of the Tilebrick and cross-levels should be checked regularly to avoid tilting.

It is preferable to lead with the outer leaf to ensure that vertical joints are well-filled on the rear face, although the type of insulation used may preclude this. In any case the use of cavity battens is recommended as with normal brickwork.

MORTAR

As the joint face is not exposed a designation (iii) mix should be adequate in most cases



Tilebrick section showing bed joint mortar placement set approx 15mm back from top of Tilebrick unit. (Perforation platforms are likely to differ from picture).

and good workability normally achieved with cement:lime:sand mixes will be advantageous. A well-graded building sand should be used.

For blue Tilebrick a designation (ii) with reduced water content will aid laying.

APPLICATION & CONSTRUCTION IBSTOCK TILEBRICK™ LAYING AND HANDLING GUIDELINES

GENERAL

As with any special shaped brick, Tilebricks should be treated with care. Cutting of units will be required on site therefore it is essential that these operations are carried out with an industrial diamond tipped, water cooled saw blade.

After cutting, rinse with clean water, allow to dry before laying. Using dry blades may result in excessive chipping.

CAUTION MUST BE TAKEN WHEN HANDLING FIRED CLAY MATERIAL WHEN THE SURFACE HAS BEEN BROKEN RESULTING IN SHARP EDGES. ALWAYS WEAR PROTECTIVE GLOVES, EYEWEAR AND CLOTHING WHEN CUTTING.

Ibstock Kevington can provide cut bricks.

PROTECTION

Smooth Blue units stain readily if in contact with wet mortar so it is essential to keep freshly-laid brickwork protected from wet weather.

It is imperative that all walls must be covered when works stops. Whether construction takes place in hot summer months or over the winter period, brickwork needs adequate protection from follow-on trades and the elements to ensure that performance and appearance isn't compromised.

Follow good site practice procedures, further information is provided in Ibstock's Technical Information Sheet B12: Appearance

CLEANING

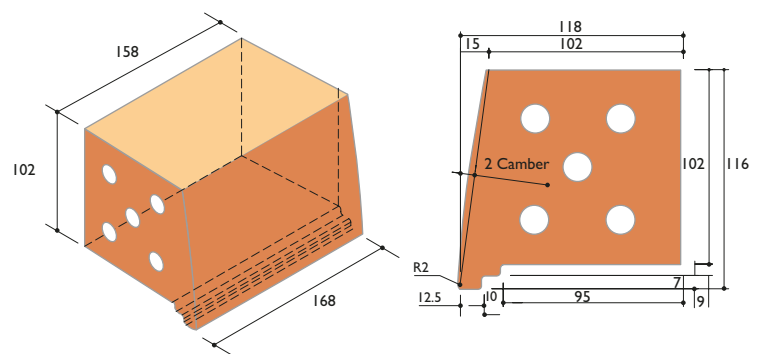
- Always try to build as cleanly as possible and protect from saturation during construction. This is particularly important with Smooth Blue units to minimise staining.
- Use a wooden tool to remove any lumps of mortar from the surface.
- To clean down after mortar has cured, wet with a fine water spray and use a soft bristle brush, repeatedly rinsing.
- For more stubborn areas a proprietary masonry cleaner may be used being sure to pre-wet the wall prior to application. After reaction, rinse with a fine water spray working from the top of the elevation downwards.
- Do not saturate the masonry or use pressure-washing equipment.



Protect brickwork from the elements

TOLERANCES

Units are manufactured to a size tolerance of $\pm 1/-3$ mm on length, ± 2 mm on width and $\pm 1/-3$ mm on height. Measurement should be taken across the face for length, across the centre top for width and across the back centre for height.



Tile Brick Profile (Perforation patterns may vary)

Ibstock Design Advisors are available to assist with application detailing of projects. Please contact the number below for further details.

Although the instructions contained in this publication and any other information published by Ibstock Brick Ltd are believed to be accurate at the date of publication, they are strictly for guidance only and Ibstock Brick Ltd accepts no liability in relation to their use or for any losses, howsoever caused. You are responsible for taking all reasonable steps to ensure your use of the product conforms to all applicable health and safety requirements from time to time. If in doubt, please consult appropriately qualified persons. All products sold by Ibstock are sold subject to Ibstock's Terms and Conditions of Sale, a copy of which is available on request.