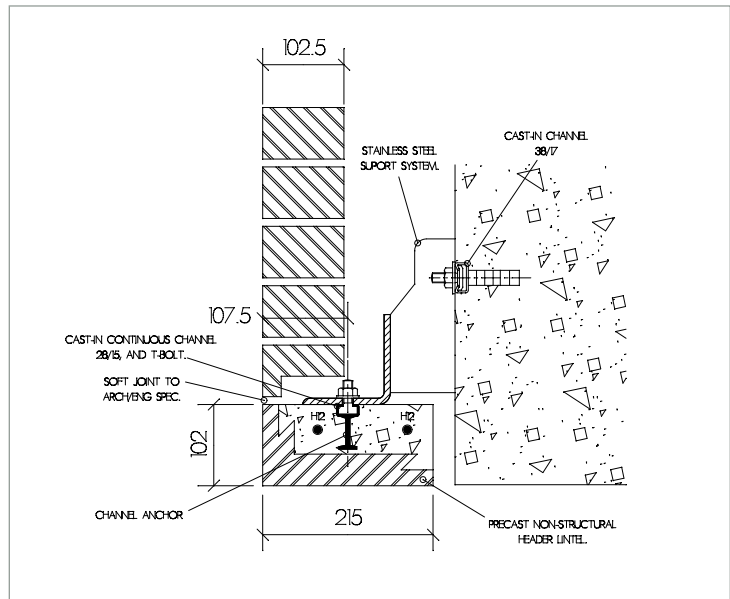


Underslung Brick Faced Soffits

Deep reveals and soffits are an increasingly popular design feature that adds an extra depth and dimension to masonry facades. To create these effects the surrounding brickwork bond is carried over the openings, whilst still maintaining an exposed brick soffit without the need for unsightly exposed supporting steelwork.

The unique expertise of Ibstock-Kevington in the design and manufacture of masonry arches means we have developed an effective solution to realise this popular design feature on site. Underslung soffits are recommended. They are ideal for unusually shaped and long openings or where there is restricted access or little or no bearing surfaces available. A stainless steel fixing channel is cast into a masonry faced soffit unit, which is then fixed to site installed support angles.

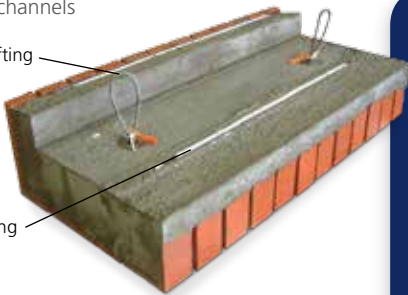


Precast Non-Structural Underslung Soffit

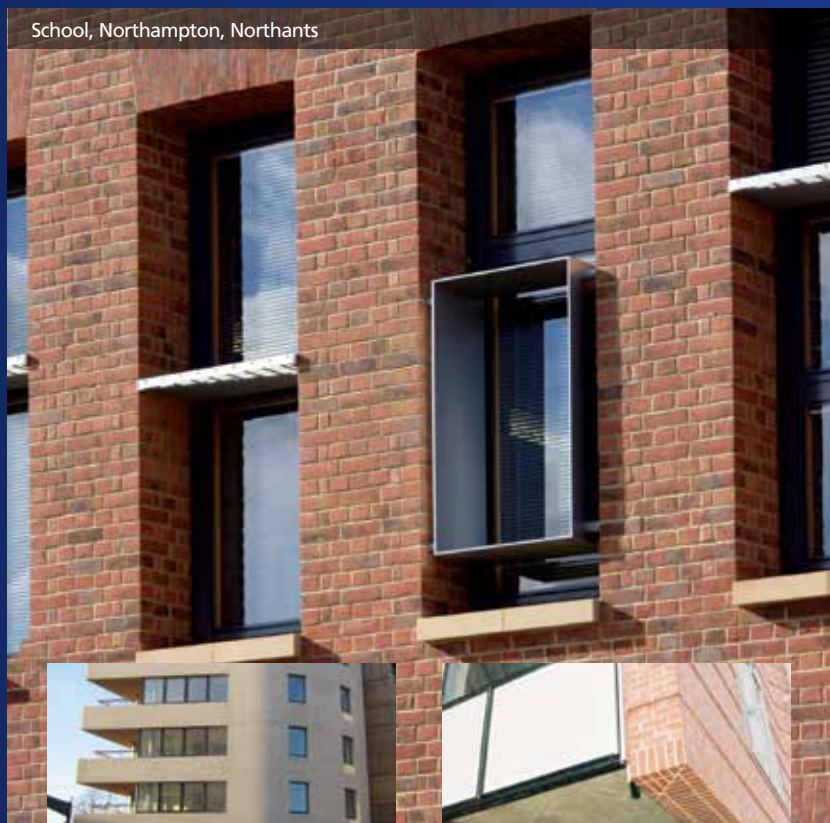
Deep Soffit unit with cast in fixing channels

Certified lifting points

Cast in fixing channels



Fixing bracket details



Balcony detail

Deep reveal detail